



# COMMERCIAL LAUNDRY SYSTEMS

GIANT-C<sup>+</sup>



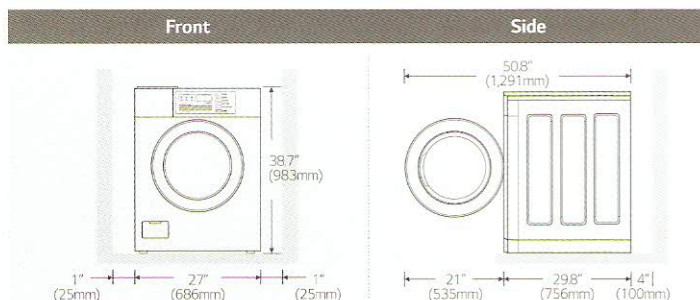
# GIANT-C+

## Washer

		Non-Heater	Heater
<b>CYLINDER</b>			
Drum Volume	cu.ft (l)	3.6 (102.7)	3.6 (102.7)
Diameter	in.(mm)	22.1 (560)	22.1 (560)
Depth	in.(mm)	16.5 (419.3)	16.5 (419.3)
Capacity	lb (kg)	22.5 (13)	22.5 (10.2)
<b>DIMENSIONS</b>			
Product (WxHxD)	in. (mm)	27 (686) x 38.7 (983) x 30.2 (767)	27 (686) x 38.7 (983) x 30.2 (767)
With Door Opening	in. (mm)	50.8 (1,291)	50.8 (1,291)
Carton (WxHxD)	in. (mm)	29.7 (755) x 44.4 (1,127) x 31.3 (795)	29.7 (755) x 44.4 (1,127) x 31.3 (795)
Weight (Product/Carton)	lb (kg)	191.8 (87) / 211.6 (96)	191.8 (87) / 211.6 (96)
<b>SPEED</b>			
Wash	RPM	50	50
Extract (High Speed)	RPM	1,150	1,150
G-force	G	413	413
<b>ENERGY</b>			
Electric Ratings	V/Hz/A	120/60/5 220-240/50/5 220/60/5	220-240/50/15-17.5
<b>WATER USAGE</b>			
Water Consumption	gal (l)	13.4 (50.8)	22.7 (86)
<b>NOISE &amp; CYCLE TIME</b>			
Noise Level (Sound Power)	dB	Lower than 62	Lower than 62
Program Duration in Minutes (Default)	min	36	60 (60°C program)
<b>SYSTEM &amp; CONTROL</b>			
Inverter Direct Drive Motor		0	0
Intelligent Electronics Controls		0	0
Heating System	W	-	3,600
Compartment Dispenser		3 compartment dispenser	3 Compartment dispenser
Forced Drain System		0	0
Pricing Program		Special Vended Price	Special Vended Price
<b>PROGRAMS</b>			
Program List		Hot Warm Cold Delicates Add Super Wash -	90°C (194 °F) 75°C (167 °F) 60°C (140 °F) 40°C (104 °F) Cold Delicates *Rinse+Spin
<b>EXTERNAL FINISH</b>			
Drum		Stainless Steel Drum	Stainless Steel Drum
Top Plate		Porcelain (Single) / Painted Steel (Stack)	Porcelain (Single) / Painted Steel (Stack)
Transparent Glass Window Door		0	0
Colors		Bluish White / Platinum	Bluish White / Platinum
Cabinet		Painted Steel	Painted Steel
Control Panel		Painted Steel	Painted Steel
Window Display		Silk Screen	Silk Screen
Window		Aluminium	Aluminium
<b>CIRCUIT PROTECTION</b>			
PCB Fuse - Main Control Board	amps	8 (220-240V) 12 (120V)	8 (220-240V)
PCB Fuse - Filter Assembly	amps	15	15

	Non-Heater		Heater
	Coin	Card / OPL	OPL
Single	F1069FD4P	F1069FD7P	F1069FD3S
Stack	F1069FDP	F1069FD6P	F1069FD2S

- \* Dimensions and weights are approximate.
- \* Design, features and specifications subject to change without notice.
- \* Some models may not be available for sales in certain countries.
- \* Model name can be varied by countries.



## Dryer

		Gas	Electric
<b>CYLINDER</b>			
Drum Volume	cu.ft (l)	7.1 (201)	7.1 (201)
Diameter	in.(mm)	26.1 (663)	26.1 (663)
Depth	in.(mm)	22.5 (570.6)	22.5 (570.6)
Capacity	lb (kg)	22.5 (10.2)	22.5 (10)
<b>DIMENSIONS</b>			
Product (WxHxD)	in. (mm)	27 (686) x 38.7 (983) x 30.1 (764)	27 (686) x 38.7 (983) x 30.1 (764)
With Door Opening	in. (mm)	49.8 (1,264)	49.8 (1,264)
Carton (WxHxD)	in. (mm)	29.9 (760) x 46.1 (1,170) x 31.3 (795)	29.9 (760) x 46.1 (1,170) x 31.3 (795)
Weight (Product/Carton)	lb(kg)	130 (59) / 143 (65)	130 (59) / 143 (65)
<b>OPERATION</b>			
Electric Ratings	V/Hz/amps	120 (240)/60/5 220-240/50/2.4 220/60/3	120 (240)/60/26 220-240/50/22.5 220/60/21 240/50/19.5
Heating Type		Gas	Electric
Type of Drying		Ventilation	Ventilation
Air Flow	CFM	160	160
Motor	KW	0.4 (120V/60Hz) 0.3 (220-240V/50Hz) 0.4 (220V/60Hz)	0.4 (120V/60Hz) 0.3 (220-240V/50Hz) 0.4 (220V/60Hz)
Gas Ratings	KW/BTU	-	-
Heating Element	W	-	5,400 <sup>1)</sup>
Program Duration in Minutes (Default)	min	45	45
<b>CONNECTIONS</b>			
Air Outlet Diameter	in.(mm)	4 (100)	4 (100)
Exhaust Airflow Diameter	in.(mm)	4 (100)	4 (100)
<b>SYSTEM &amp; CONTROL</b>			
Pricing Program		Special Vended Price	Special Vended Price
Intelligent Electronic Controls		0	0
<b>PROGRAMS</b>			
Program List		High Temp Med Temp Low Temp No Heat	High Temp Med Temp Low Temp No Heat
<b>EXTERNAL FINISH</b>			
Top Plate		Painted Steel <sup>2)</sup>	Painted Steel <sup>2)</sup>
Transparent Glass Window Door		0	0
Colors		Bluish White / Platinum	Bluish White / Platinum
Cabinet		Porcelain (Single) Painted Steel (Stack)	Porcelain (Single) Painted Steel (Stack)
Control Panel		Painted Steel	Painted Steel
Window Display		Silk Screen	Silk Screen
Window		Aluminium	Aluminium

	Gas			Electric		
	Coin	Card	OPL	Coin	Card	OPL
Single	RN1329AN4S RP1329AN4S	RN1329AD1S	RN1329A4S RP1329A4S	RV1329AN4S	RV1329AD1S	RV1329A4S
Stack Upper	RN1329AN7S RP1329AN7S	RN1329AD5S	RN1329A7S RP1329A7S	RV1329AN7S	RV1329AD5S	RV1329A7S
Stack Lower	RN1329AN1S RP1329AN1S	RN1329AD6S	RN1329A1S RP1329A1S	RV1329AN1S	RV1329AD6S	RV1329A1S

- \* RN : LNG, RP : LPG \* Dimensions and weights are approximate.
- \* Design, features and specifications subject to change without notice.
- \* Some models may not be available for sales in certain countries.
- \* Model name can be varied by countries.
- 1) 4,500W for some countries due to power limitation (e.g. Australia)
- 2) Top plate of single dryer in bluish white is "Porcelain".

