



VMP™

Vertical Multi-Port Boiler (Steam & Hot Water)

40 – 150 BHP

- ▶ Efficiencies up to 84%
- ▶ Compact Footprint
- ▶ High-Quality Steam

ALL MODELS:

1,380 – 5,175 lbs/h Output F&A 212°F
ASME Section I & IV Designs to 300 PSI



**Biofuel
READY**
Up to B100



**Hydrogen
READY**
Up to 20% Blend



ENGINEERED TO ENDURE

Designed for heavy-duty applications, the VMP™ is Fulton's Vertical Multi-Port steam boiler. The compact vertical design of the VMP has been proven through decades of successful installations and provides exceptional value over the lifetime of the boiler.



▶ Rugged Design

Pressure vessel thickness is 30% greater than ASME requirements and is backed by an unmatched 5-year warranty.

▶ Engineered for the Long Haul

The vertical tubeless design of the VMP is built to last. Heavy-walled schedule 80 flue pipes help VMP boilers last 25 years or more.

▶ High Quality Steam

Specifiable steam quality greater than 99% makes the VMP ideal for food processing, sterilization, and humidification applications.

▶ Compact Size

The compact vertical design minimizes jacket losses and requires less floor space than competing boilers, reducing installation costs.

▶ Versatile Design

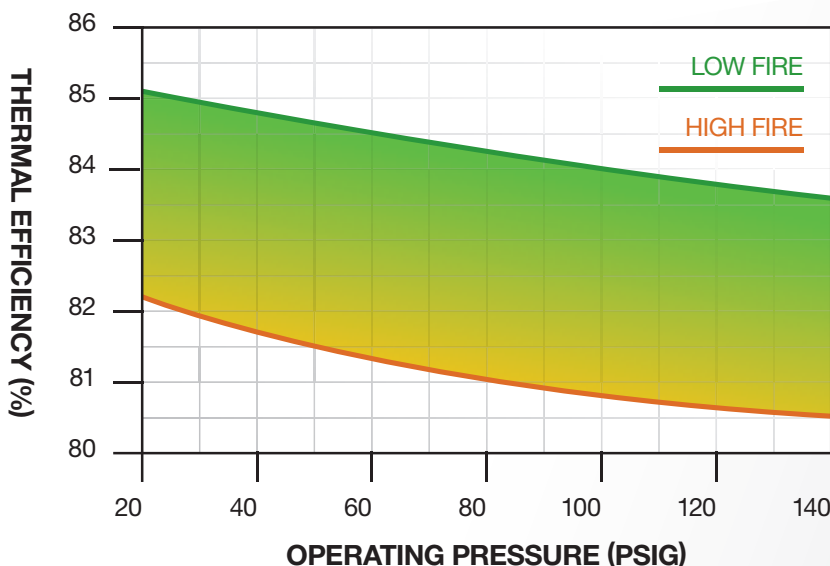
For critical heating processes requiring fuel redundancy, VMP boilers can be configured for dual-fuel operation.

▶ Advanced Technology

VMP boilers with linkageless controls can reach up to 8:1 turndown. Low NOx option provides < 9ppm on natural gas.

Efficiency Range

STANDARD GAS BURNER, 10% CO₂



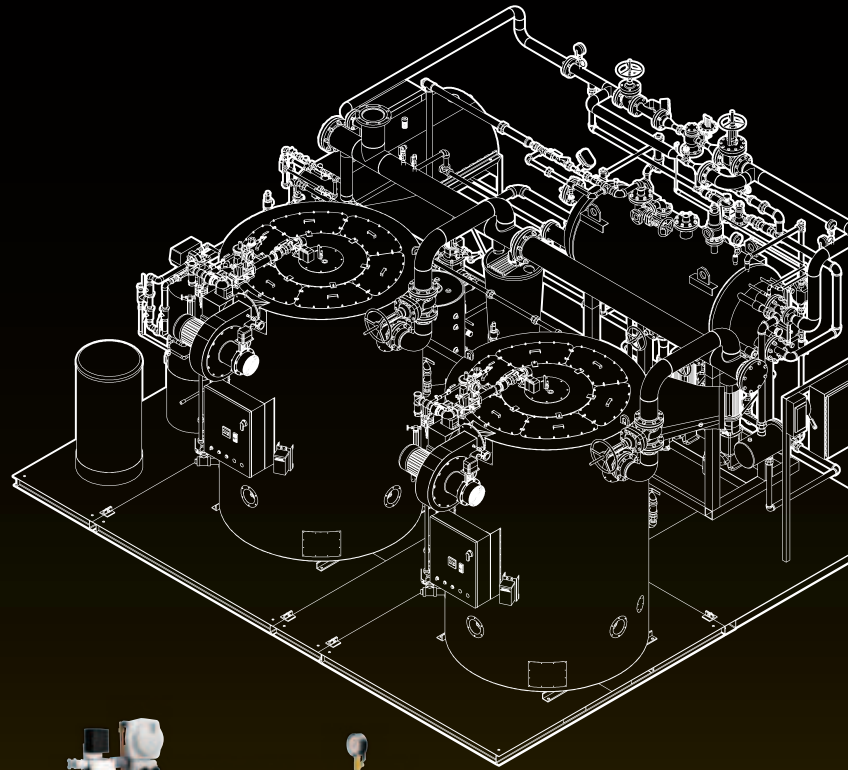
INDUSTRY LEADING EFFICIENCIES

VMP boilers have been engineered to achieve 4-pass efficiency in a compact 2-pass design. Utilizing parallel positioning controls, the VMP provides superior fuel-to-steam efficiencies up to 85%.

IDEAL FOR MODULAR ARRAYS

- ▶ Reduces Overall Footprint
- ▶ Minimizes Standby Losses
- ▶ More Efficient Modulation
- ▶ Highest Seasonal Efficiencies
- ▶ 10-year Pressure Vessel Warranty*

* Available on Fulton Engineered Systems



BETTER BY DESIGN

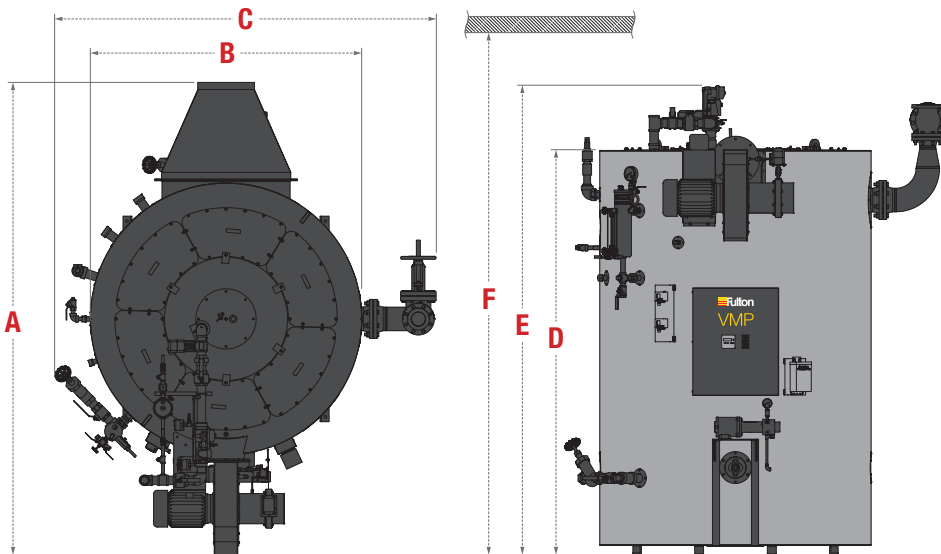
Competing boiler designs are prone to scale buildup and costly tube failure. The vertical tubeless design of the VMP minimizes these issues while maximizing system efficiencies and extending boiler life.



- A** Combustion air inlet includes an integrated preheat from the hot flue gases below.
- B** Zero-impingement vertical flame permits low emissions and increases vessel longevity.
- C** Optimized internal circulation prevents stratification and reduces warm-up time. Vertical design reduces pitting – bubbles rise away from surfaces with zero side impact.
- D** Schedule 80 flue pipes utilize “ribboned” turbulators to maximize overall heat transfer.

SPECIFICATIONS & DIMENSIONS

	MODEL	VMP-40	VMP-49.5	VMP-50	VMP-60	VMP-80	VMP-100	VMP-130	VMP-150
SPECIFICATIONS									
Fuel Input (Natural Gas)	CFH	1,594	1,974	1,993	2,392	3,188	3,986	5,181	5,979
Fuel Input (Propane)	CFH	638	790	797	957	1,275	1,594	2,082	2,392
Fuel Input (#2 Oil)	GPH	11.4	14.1	14.3	17.1	22.8	28.5	37.1	42.8
Steam Output	LB/HR	1,380	1,708	1,725	2,070	2,760	3,450	4,485	5,175
Output	MBH	1,339	1,658	1,674	2,009	2,678	3,348	4,352	5,022
Water Capacity (Operating)	GAL	153	231	219	245	348	477	749	749
DIMENSIONS									
(A) Depth	IN	97	105	101	101	112	119	130	136
(B) Width w/o Trim	IN	54	58	58	58	66	75.5	84	84
(C) Width w/ Trim	IN	83	86	87	87	97	105	111	112
(D) Height w/o Trim	IN	93	97	97	103	109	109	121	121
(E) Height w/ Trim	IN	105	109	109	115	121	121	133	133
(F) Burner Pull Height	IN	110	115	115	125	130	132	133	145
Steam Outlet (150 PSI, trim)	IN	3	3	3	3	4	4	4	4
Flue Outlet	IN	12	12	12	12	14	14	14	16
WEIGHTS									
Shipping Weight	LBS	5,900	6,500	6,800	7,500	9,300	10,600	15,500	16,400
Operating Weight	LBS	7,175	8,424	8,631	9,545	12,208	14,577	21,749	22,649



NOTE: Specifications and dimensions are approximate and for reference only. Fulton practices continuous product improvement and reserves the right to change specifications and/or dimensions without notice.



Call: (315) 298-5121

972 Centerville Road
Pulaski, NY 13142



fulton.com/vmp

VMP_BROCHURE_231214